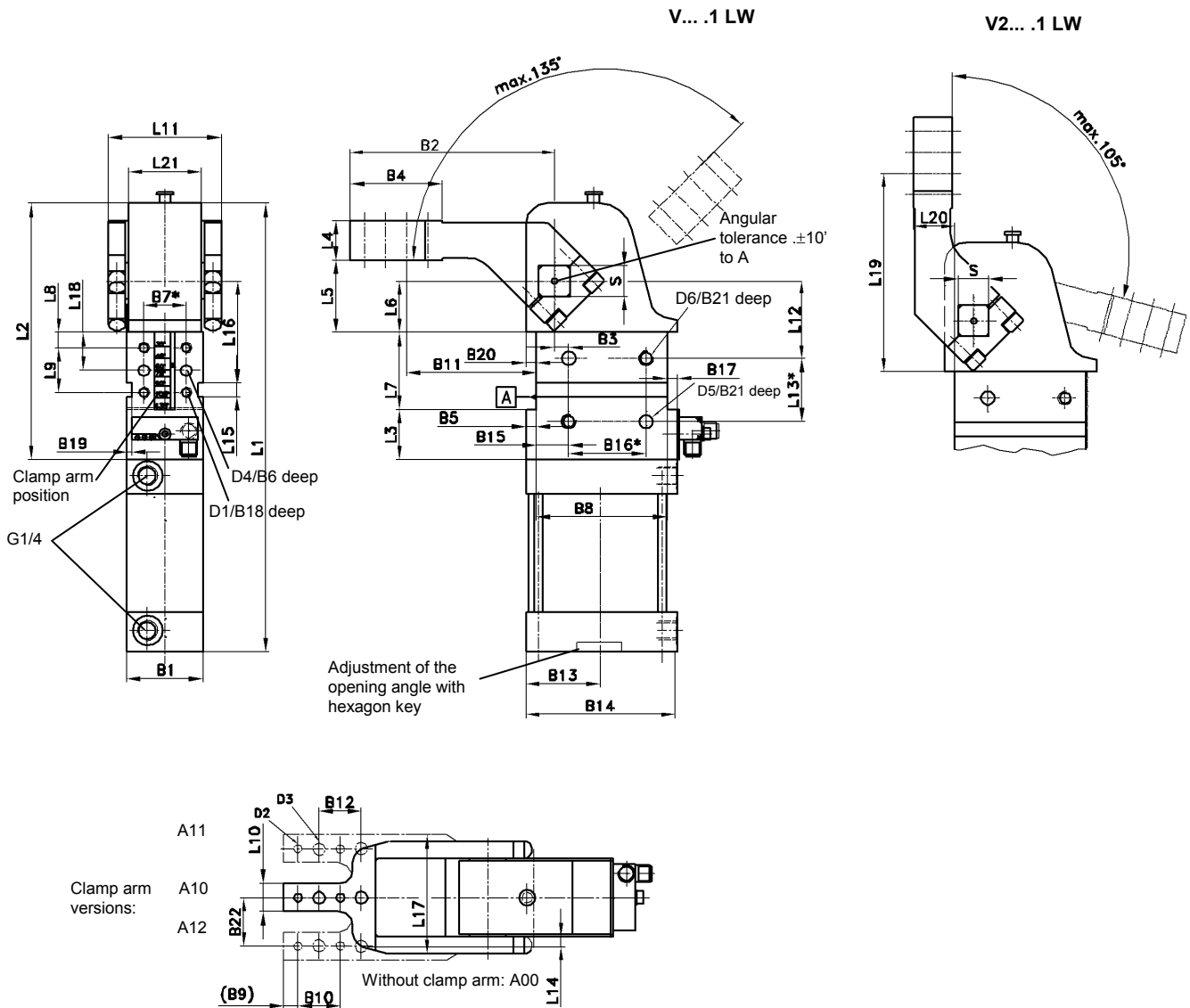


Vario Clamp

Lightweight design, stepless adjustable opening angle

V/V2... .1 LW

5 – 135°



Ordering example:

V 50.1 LW A10 T12

V 50.1 LW: Type
 A10: Clamp arm version
 T12: Sensing system

Opening angle:

Stepless adjustable in the range from 5°-135° (Type V... .1...).

Tolerance for dowel holes ± 0.02, for threaded holes ± 0.1.
 Medium: Air, max. 6 bar, operation permitted with oil-free air.

Ordering example Tünkers sensing systems:

... T12 Inductive sensor 24 V, 1 output with integrated LED's
 ... T08T (T08) See separate data sheet

Attention!

External throttle check valves must be provided on assembly. They are not included in the scope of delivery!

Type	Holding torque max.	Clamping moment at 5 bar	Corresponds to piston Ø (mm)	Weight ~ (kg)	B1	B2	B3 ±0.05	B4	B5	B6	B7*	B8*	B9	B10 ±0.02
V/V2 50.1 LW	800 Nm	160 Nm	50	3.0	48	144	10	65	6.5	10	30	93	9	30
V/V2 63.1 LW	1500 Nm	380 Nm	63	4.0	54	144	10	65	7.5	10	30	93	9	30

Type	B11 ±0.1	B12 ±0.2	B13	B14	B15 ±0.1	B16* ±0.1	B17	B18	B19	B20	B21	B22 ±0.1	D1	D2 H7	D3	D4 H7	D5 H7	D6	L1	L2	L3
V/V2 50.1 LW	92	30	47	94	23	50	4.5	11	3.5	10.5	12	34	M8	6	9	8	10	M10	321	178	35
V/V2 63.1 LW	92	30	54	106	23	50	7.5	11	3.5	12	12	37	M8	6	9	8	10	M10	335	185	35

Type	L4 ±0.1	L5 ±0.2	L6 ±0.05	L7 +0.1	L8 ±0.1	L9 ±0.1	L10	L11	L12 ±0.05	L13*	L14 ±0.1	L15 N9	L16 ±0.05	L17	L18 ±0.05	L19 ±0.1	L20 ±0.2	L21	S h9
V/V2 50.1 LW	28	51,5	36,5	55	11	32	20	68	55	45	10	12	71,5	78	27	141,5	30	45	19
V/V2 63.1 LW	28	51,5	36,5	55	11	32	20	78	55	45	10	12	71,5	86	27	141,5	30	52	22